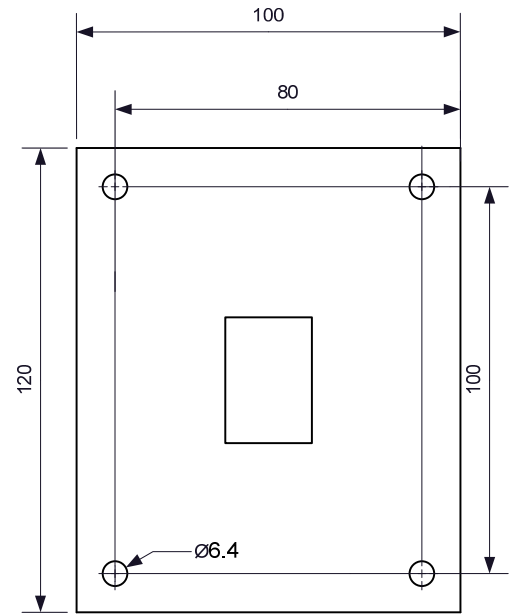
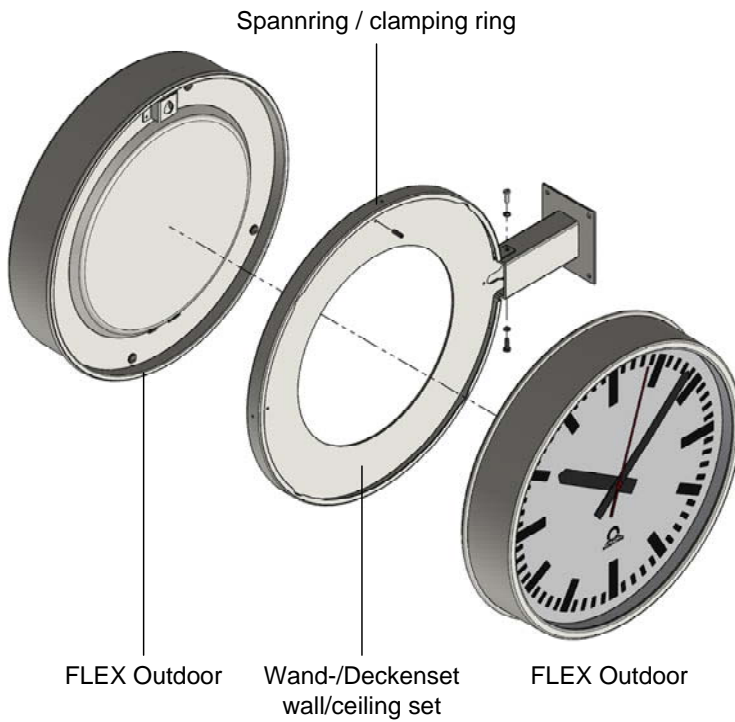


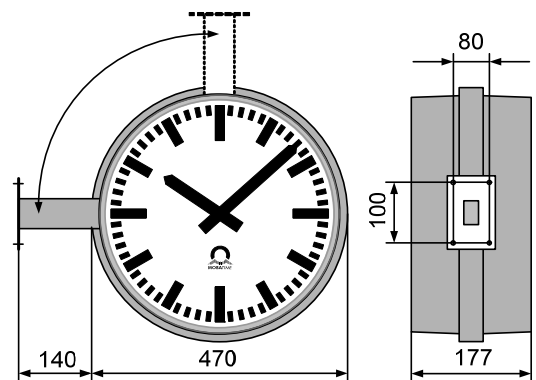
Montageset / mounting kit FLEX Outdoor

Wand-/Deckenset / wall/ceiling set

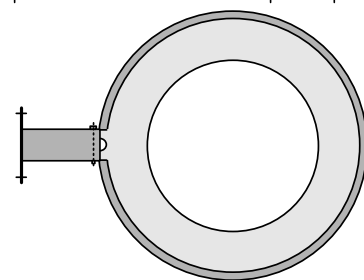


Abmessungen / measurements in mm

Typ / type	Artikel-Nr. / article no.
Wand-/Deckenset / wall/ceiling set	FO.40.WS ()

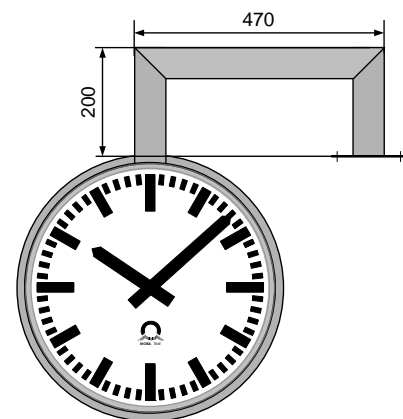
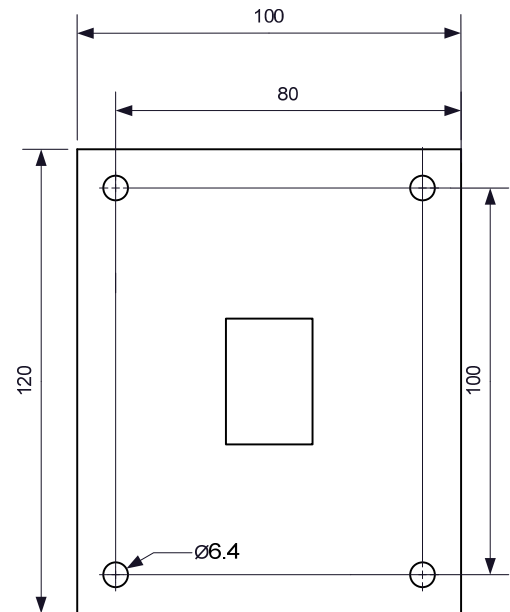
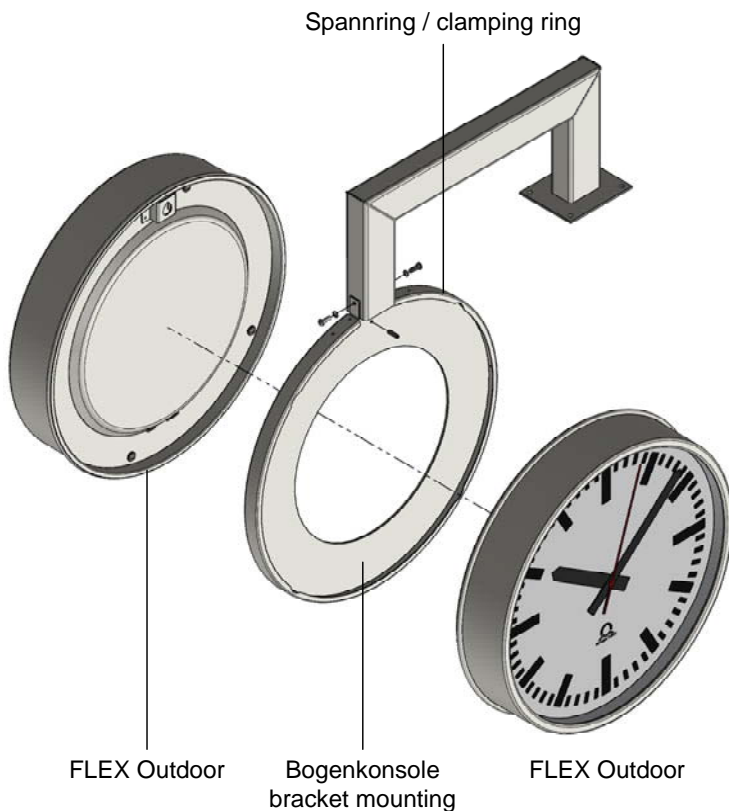


Blindabdeckung / blind cover



Typ / type	Artikel-Nr. / article no.
Blindabdeckung / blind cover	FO.40.BA ()

Bogenkonsole / bracket mounting Ø 40 cm



Abmessungen / measurements in mm

Typ / type	Artikel-Nr. / article no.
Bogenkonsole / bracket mounting	FO.40.BK ()

HEADQUARTERS / PRODUCTION

MOSER-BAER AG
 Spitalstrasse 7, CH-3454 Sumiswald
 Tel. +41 34 432 46 46 / Fax +41 34 432 46 99
moserbaer@mobatime.com / www.mobatime.com

SALES WORLDWIDE

MOSER-BAER SA EXPORT DIVISION
 19 ch. du Champ-des-Filles, CH-1228 Plan-les-Ouates
 Tel. +41 22 884 96 11 / Fax + 41 22 884 96 90
export@mobatime.com / www.mobatime.com

SALES SWITZERLAND

MOBATIME AG
 Stettbachstrasse 5, CH-8600 Dübendorf
 Tel. +41 44 802 75 75 / Fax +41 44 802 75 65
info-d@mobatime.ch / www.mobatime.ch

MOBATIME SA
 En Budron H 20, CH-1052 Le Mont-sur-Lausanne
 Tél. +41 21 654 33 50 / Fax +41 21 654 33 69
info-f@mobatime.ch / www.mobatime.ch

SALES GERMANY, AUSTRIA

BÜRK MOBATIME GmbH
 Postfach 3760, D-78026 VS-Schwenningen
 Steinkirchring 46, D-78056 VS-Schwenningen
 Tel. +49 7720 8535 0 / Fax +49 7720 8535 11
buerk@buerk-mobatime.de / www.buerk-mobatime.de